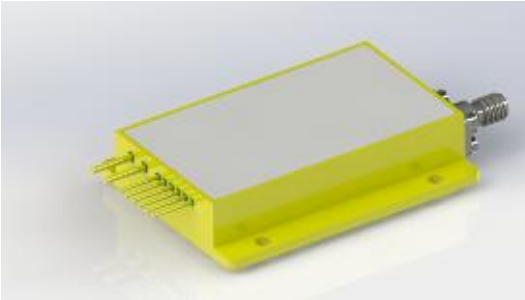
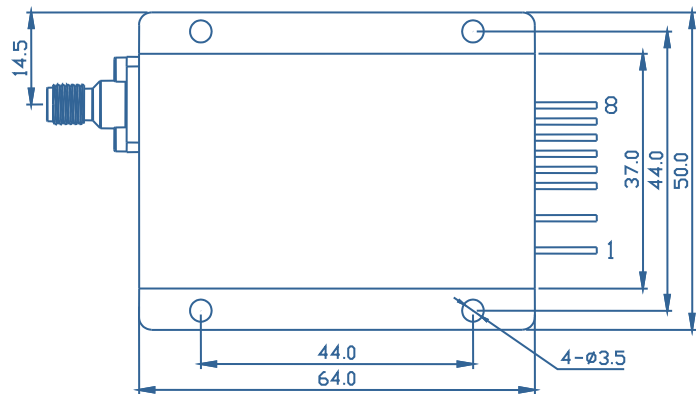
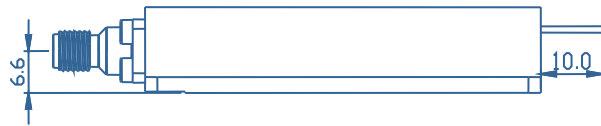
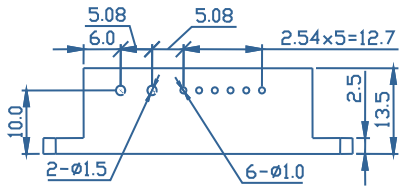


C-Series High Power Laser Diode Module



- Features**
- ◆ High output power of 100 W
 - ◆ 200μm/0.22NA multimode optical fiber
 - ◆ Center wavelength 915±10nm
- Applications**
- ◆ Industrial Processing

Package Dimensions (mm)



Pin-out Assignment	
Pin	Function
1	LD (+)
2	LD (-)
3	Aiming Beam(+)
4	Aiming Beam(-)
5	PD (N)
6	PD (P)
7	Thermistor
8	Thermistor

Typical Device Performance (25°C)

	Min	Typical	Max	Unit
Optical				
CW Output Power	-	100	-	W
Center Wavelength	-	915±10	-	nm
Spectral Width (90% of Power)	-	<10.0	-	nm
Wavelength Shift with Temperature	-	0.3	-	nm / °C
Electrical				
Threshold Current	-	1.08	-	A
Operating Current	-	15.5	-	A
Operating Voltage	-	11.8	-	V
Slope Efficiency	-	7.0	-	W / A
Power Conversion Efficiency	-	54	-	%
Aiming laser				
CW Output Power	-	5	-	mW
Center Wavelength	-	650±10	-	nm
Operating Current	-	<30	-	mA
Operating Voltage	-	5	-	V
Fiber*				
Fiber Core Diameter	-	200	-	µm
Fiber Cladding Diameter	-	220	-	µm
Numerical Aperture	-	0.22	-	-
Fiber Length	-	1-5	-	m
Fiber Connector	-	-	-	-

* Customized fiber and connector available.

Absolute Ratings

	Min	Max	Unit
Operating Temperature	15	35	°C
Operating Relative Humidity	-	75	%
Cooling Mode	-	Water cooling (25°C)	-
Storage Temperature	-20	80	°C
Storage Relative Humidity	-	90	%
Lead Soldering Temperature (10 s max)	-	250	°C

This instruction is for reference only. Han's TCS improves its products continually, therefore may change specifications without notice to customers, for details, please contact with Han's TCS sales.

@2023 Han's TianCheng Semiconductor Co., Ltd. All rights reserved.