

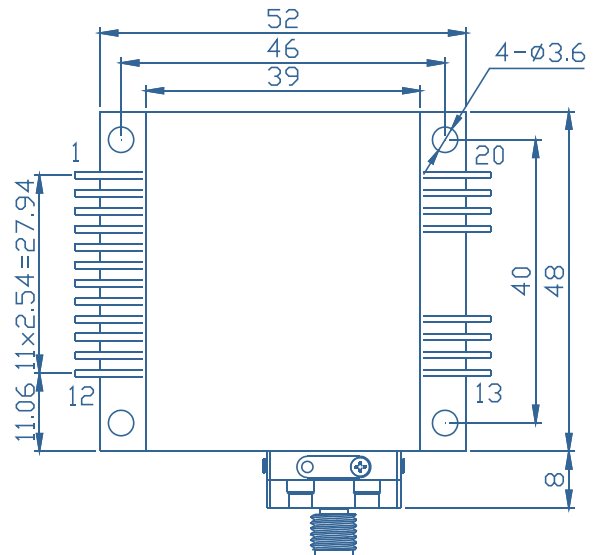
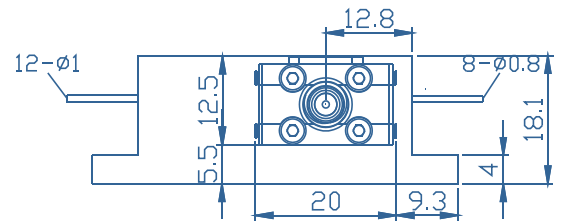
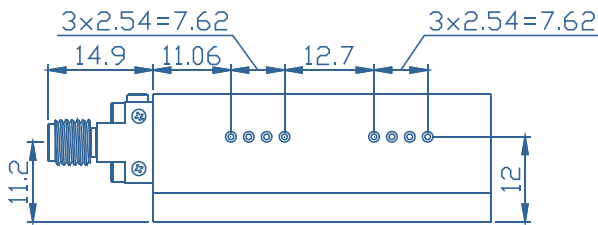
## G-Series High Power Laser Diode Module



- Features**
- ◆ High output power of 10/7/0.2/3W
  - ◆ 200μm/0.22NA multimode optical fiber
  - ◆ Center wavelength 980/808/640/450±10nm

- Applications**
- ◆ Medical applications

### Package Dimensions (mm)



Pin-Out Assignment			
Pin	Function	Pin	Function
1	980 LD (+)	11	-
2	980 LD (-)	12	-
3	808 LD (+)	13	Fiber Connector DetectorLED(-)
4	808 LD (-)	14	Fiber Connector DetectorLED(+)
5	-	15	Fiber Connector DetectorPD (N)
6	-	16	Fiber Connector DetectorPD (P)
7	640 LD (+)	17	PD(N)
8	640 LD (-)	18	PD(P)
9	450 LD (+)	19	Thermistor
10	450 LD (-)	20	Thermistor

## Typical Device Performance (25°C)

	Typical				Unit
<b>Optical</b>					
Center Wavelength	980±10	808±10	640±10	450±10	W
CW Output Power	10	7	0.2	3	nm
Spectral Width (90%Energy)	6				nm
Wavelength Shift with Temperature	0.3				nm / °C
<b>Electrical</b>					
Threshold Current	1.3	1.77	0.17	0.8	A
Operating Current	12	8.6	0.5	2	A
Operating Voltage	1.73	1.9	2.1	4	V
Slope Efficiency	0.93	1	0.45	2.5	W / A
Power Conversion Efficiency	48	43	12	37	%
<b>Fiber*</b>					
Fiber Core Diameter	200				µm
Fiber Cladding Diameter	220				µm
Fiber Buffer Diameter	500				µm
Numerical Aperture	0.22				-
Fiber Length	1-5				m
Fiber Connector	-				-

\* Customized fiber and connector available.

## Absolute Ratings

	Min	Max	Unit
Operating Temperature	15	35	°C
Operating Relative Humidity	-	75	%
Cooling Mode	-	Water cooling (25°C)	-
Storage Temperature	-20	80	°C
Storage Relative Humidity	-	90	%
Lead Soldering Temperature (10 s max)	-	250	°C

This instruction is for reference only. Han's TCS improves its products continually, therefore may change specifications without notice to customers, for details, please contact with Han's TCS sales.

@2023 Han's TianCheng Semiconductor Co., Ltd. All rights reserved.