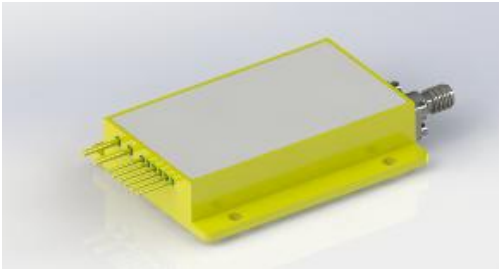
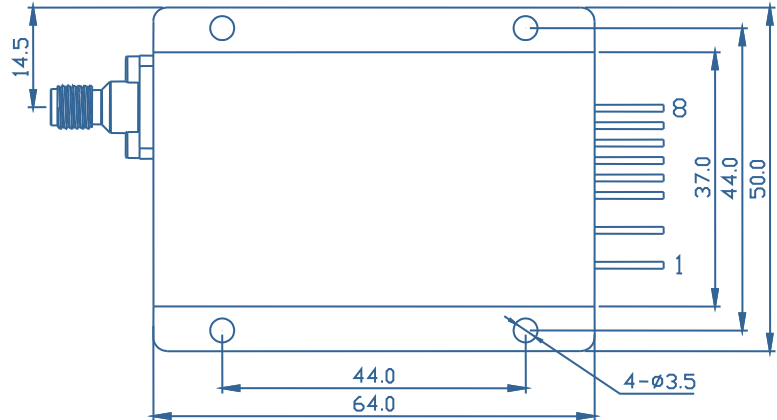
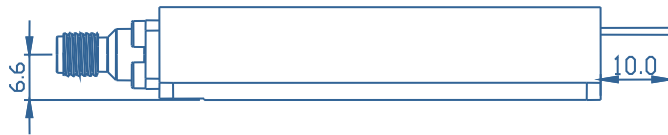
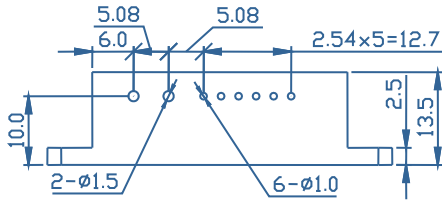


C-Series High Power Laser Diode Module



- Features
- ◆ High output power of 15 W
 - ◆ 200μm/0.22NA multimode optical fiber
 - ◆ Center wavelength 1470±10nm
- Applications
- ◆ Medical Application

Package Dimensions (mm)



Pin-out Assignment	
Pin	Function
1	LD (+)
2	LD (-)
3	PD (N)
4	PD (P)
5	Thermistor
6	Thermistor
7	Aiming Beam (+)
8	Aiming Beam (-)

Typical Device Performance (25°C)

	Min	Typical	Max	Unit
Optical				
CW Output Power	-	15	-	W
Center Wavelength	-	1470±10	-	nm
Spectral Width (90% of Power)	-	<10.0	-	nm
Wavelength Shift with Temperature	-	0.3	-	nm /°C
Electrical				
Threshold Current	-	0.4	-	A
Operating Current	-	8	-	A
Operating Voltage	-	10.2	-	V
Slope Efficiency	-	2	-	W / A
Power Conversion Efficiency	-	17.5	-	%
Aiming laser				
CW Output Power	-	2	-	mW
Center Wavelength	-	650±10	-	nm
Operating Current	-	<30	-	mA
Operating Voltage	-	5	-	V
Fiber*				
Fiber Core Diameter	-	200	-	μm
Fiber Cladding Diameter	-	220	-	μm
Fiber Buffer Diameter	-	500	-	μm
Numerical Aperture	-	0.22	-	-
Fiber Length	-	1-5	-	m
Fiber Connector	-	-	-	-

* Customized fiber and connector available.

Absolute Ratings

	Min	Max	Unit
Operating Temperature	15	35	°C
Operating Relative Humidity	-	75	%
Cooling Mode	-	Water cooling (25°C)	-
Storage Temperature	-20	80	°C
Storage Relative Humidity	-	90	%
Lead Soldering Temperature (10 s max)	-	250	°C

This instruction is for reference only. Han's TCS improves its products continually, therefore may change specifications without notice to customers, for details, please contact with Han's TCS sales.

@2022 Han's TianCheng Semiconductor Co., Ltd. All rights reserved.